

# Ductility requirements

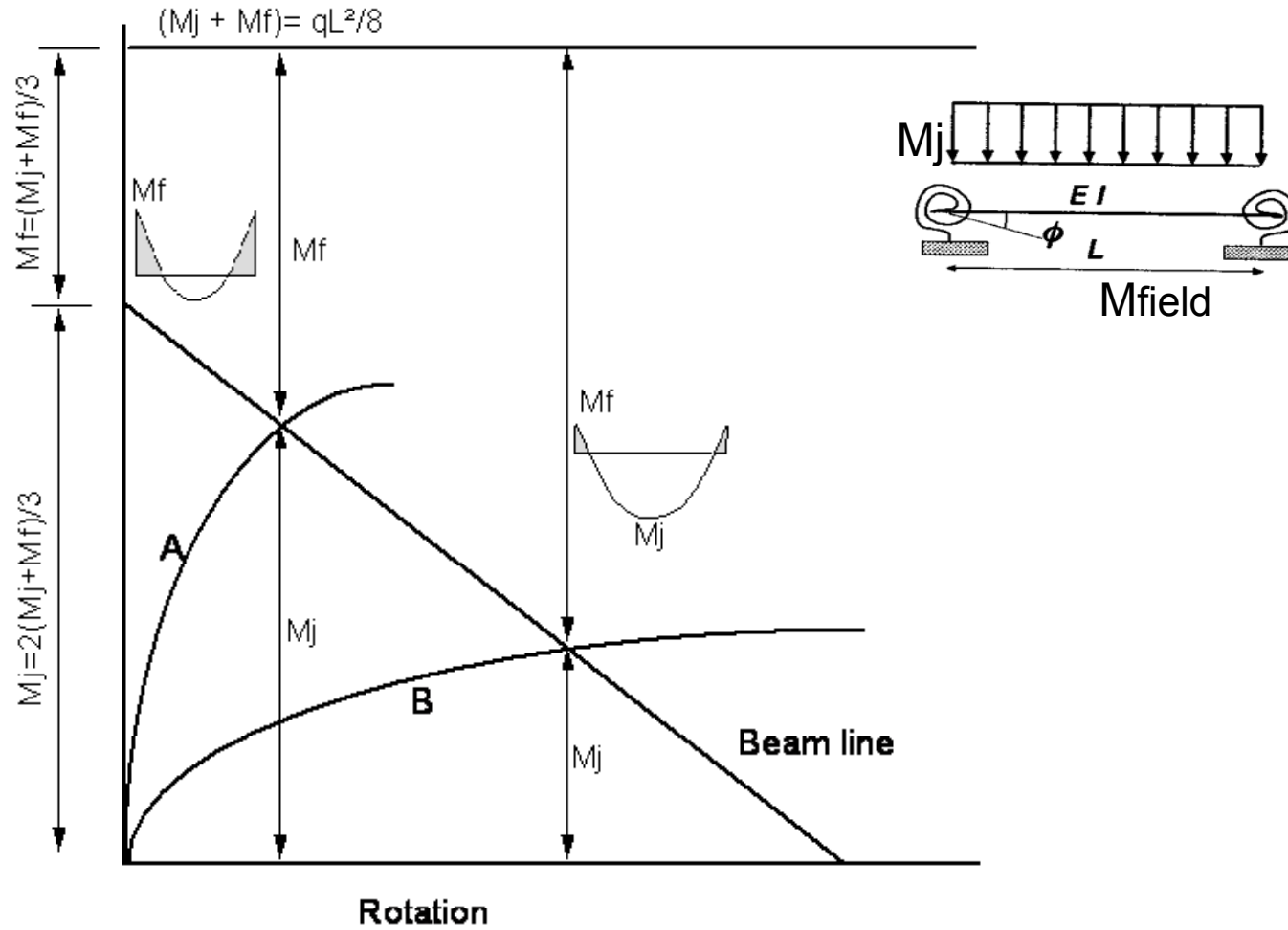
What are the conditions  
so we can rely on ductility?

How much ductility is required?

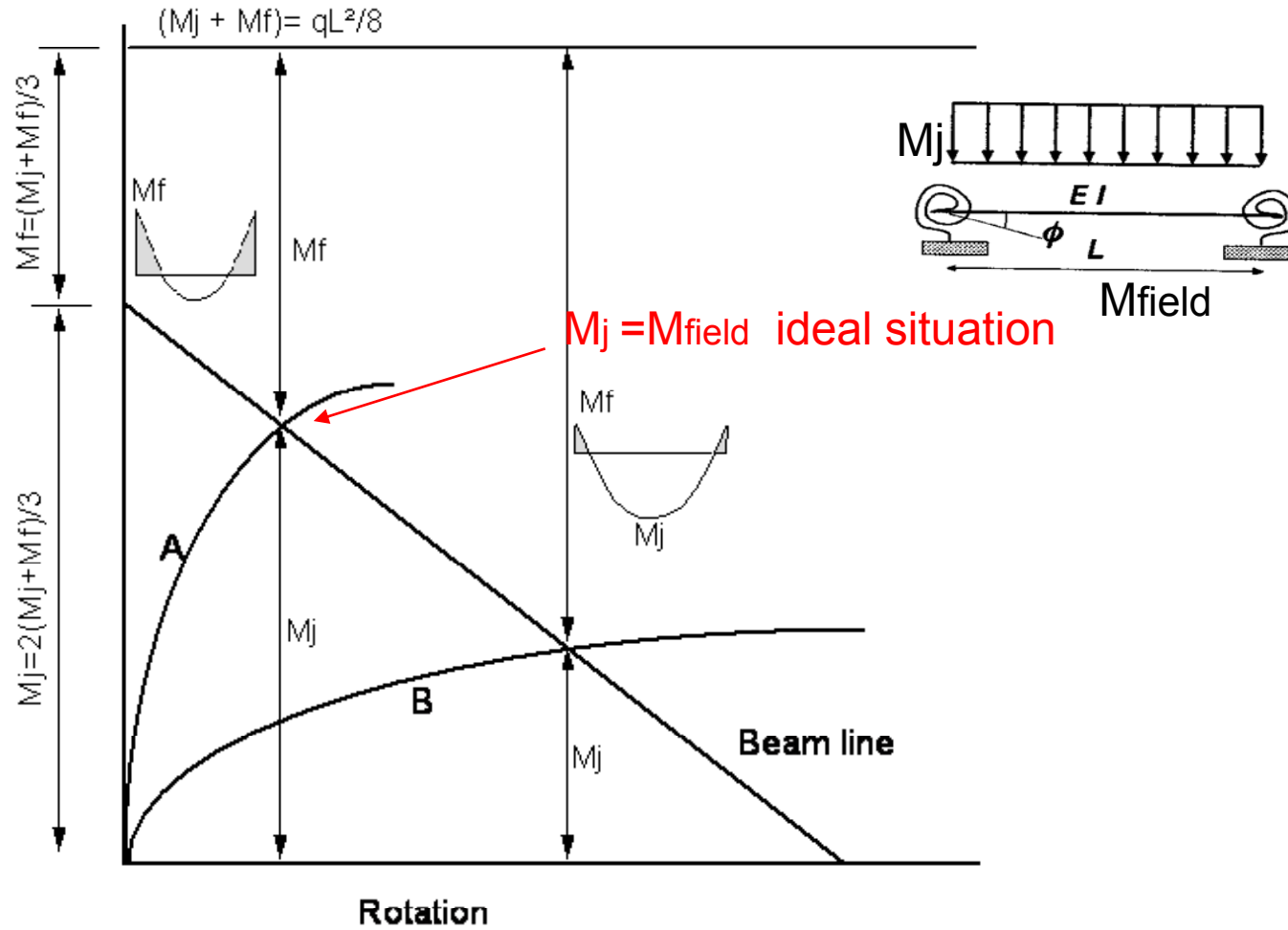
# Ductility requirements

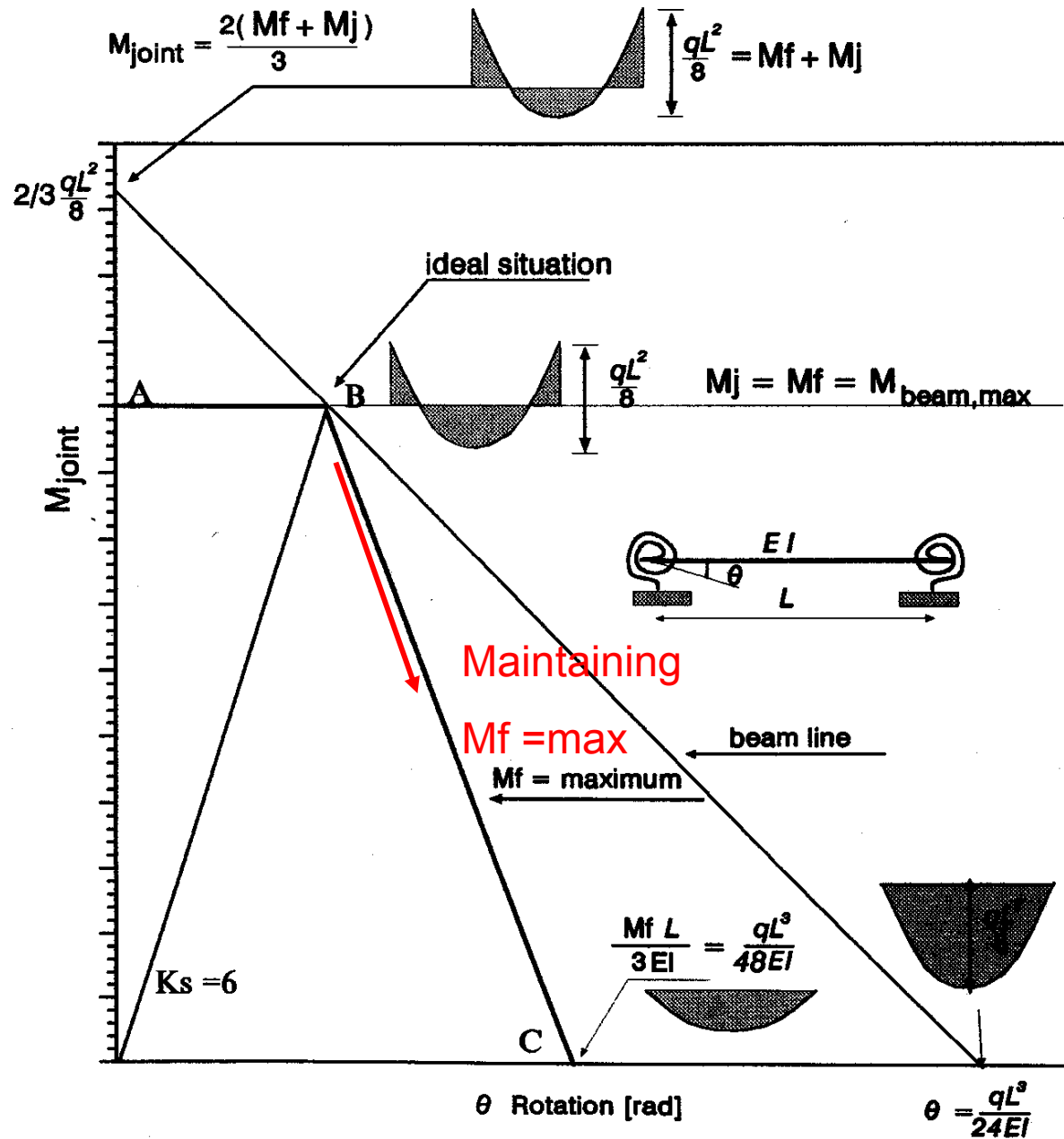
Ductility requirements for  
Moment connections  
in  
statically indetermined structures

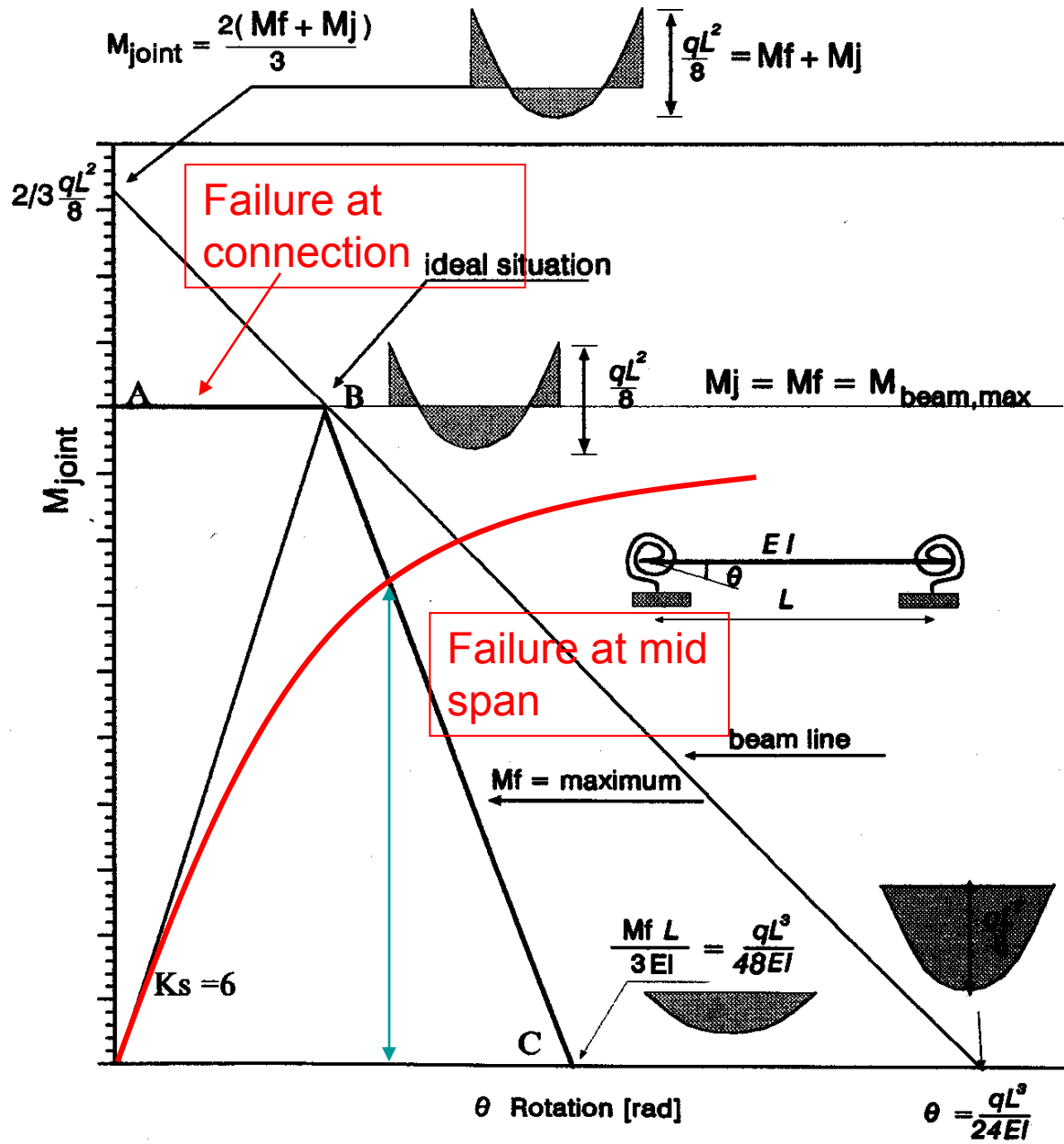
# Ductility requirements

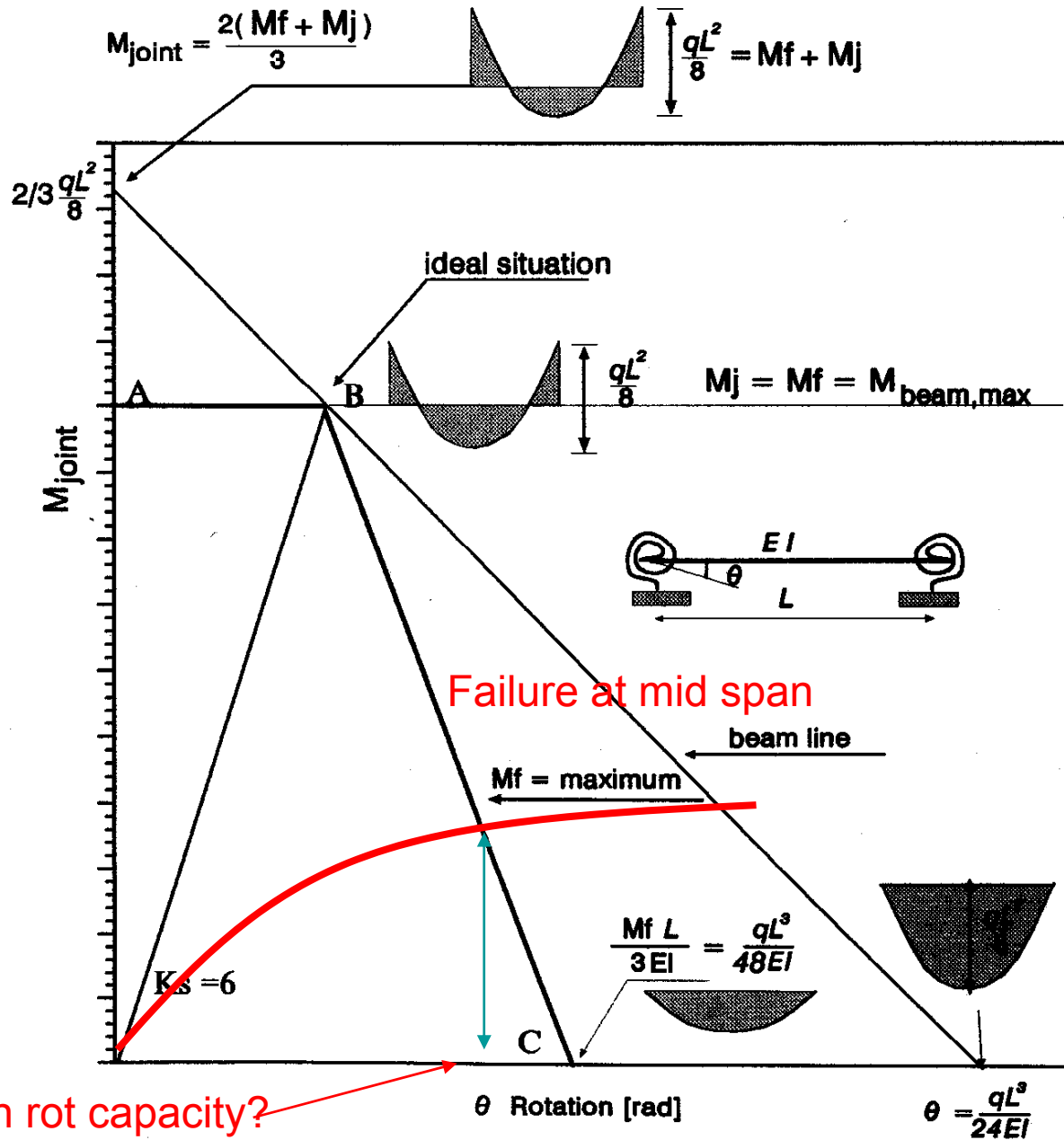


# Ductility requirements

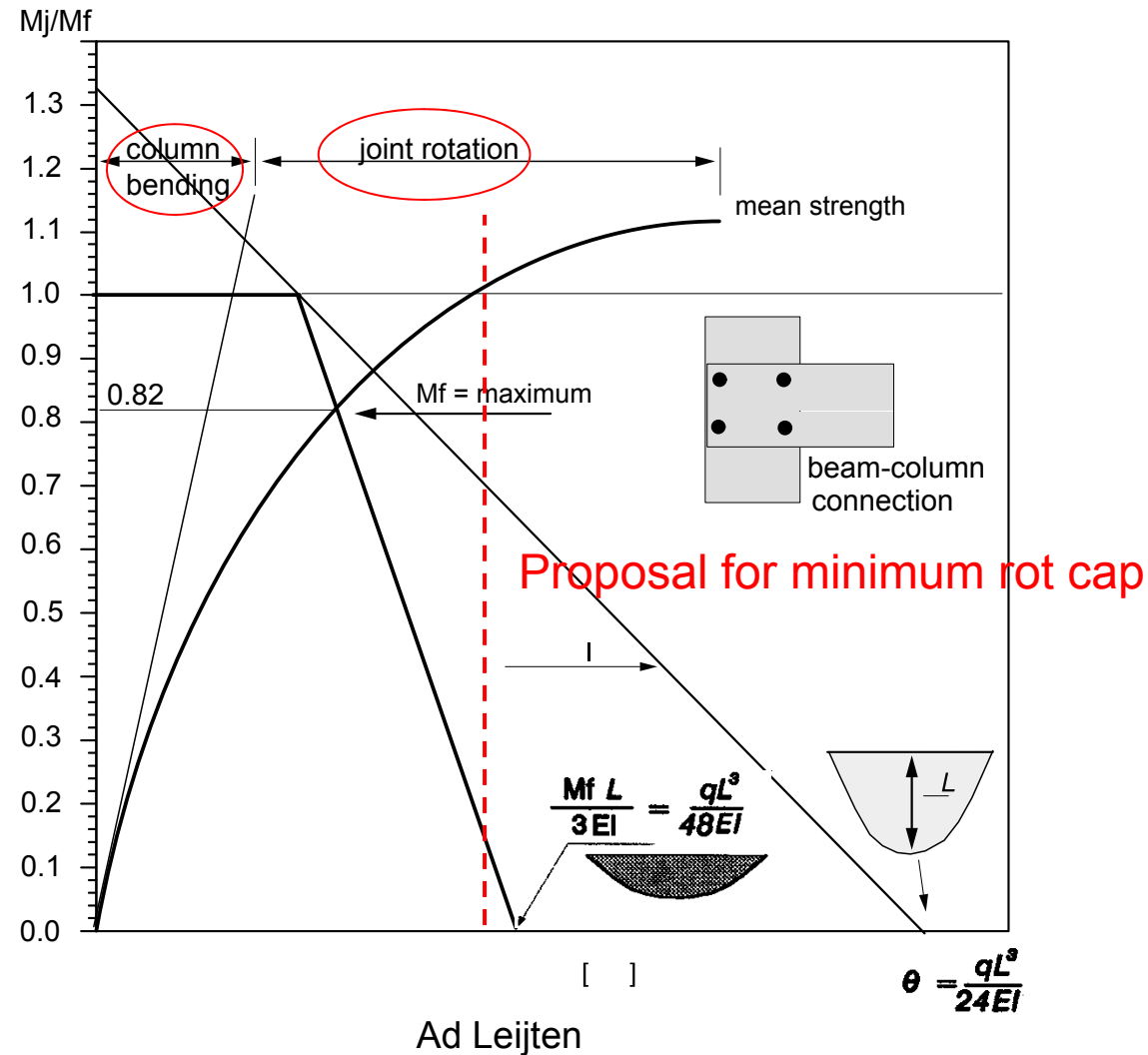








# Ductility requirements



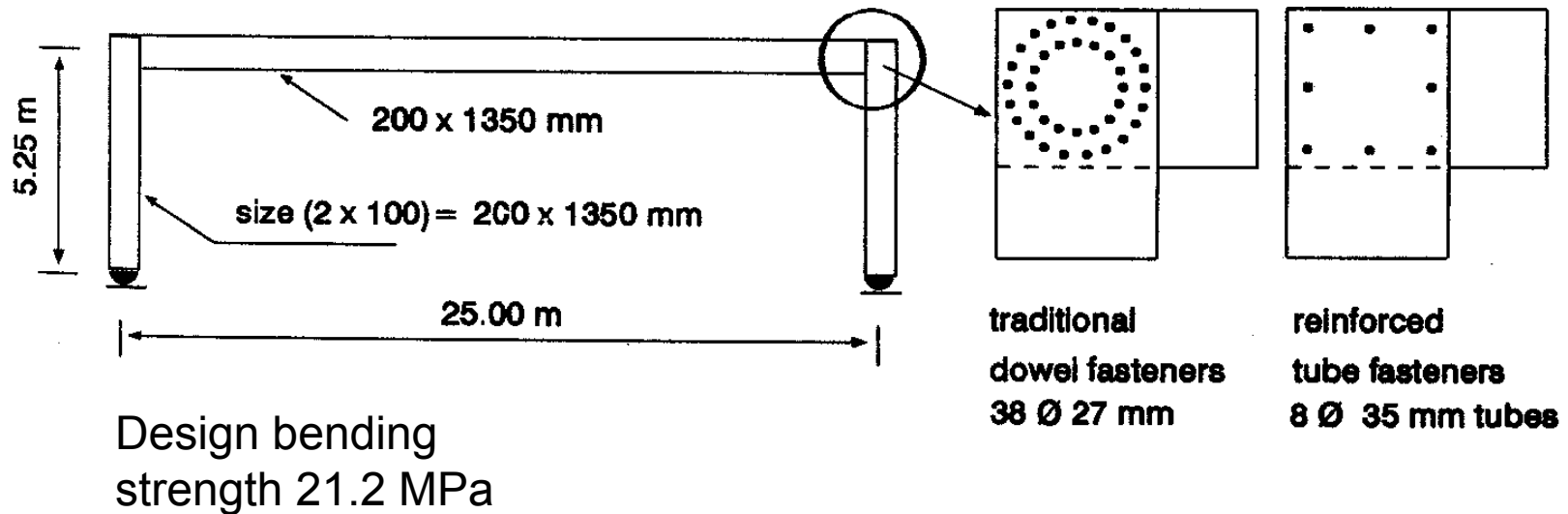


# Ductility requirements

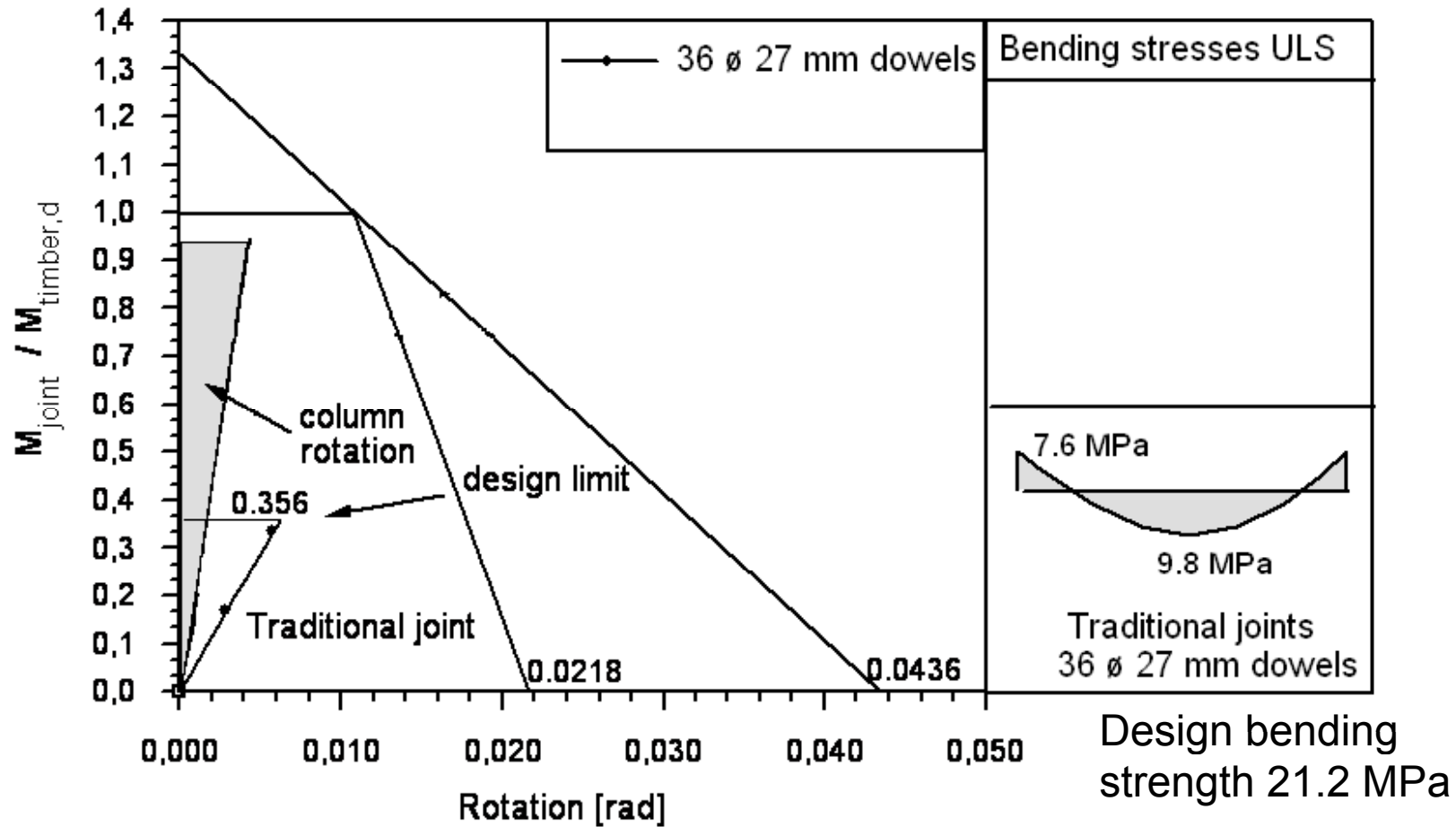
How much is that min rotation capacity

Example:

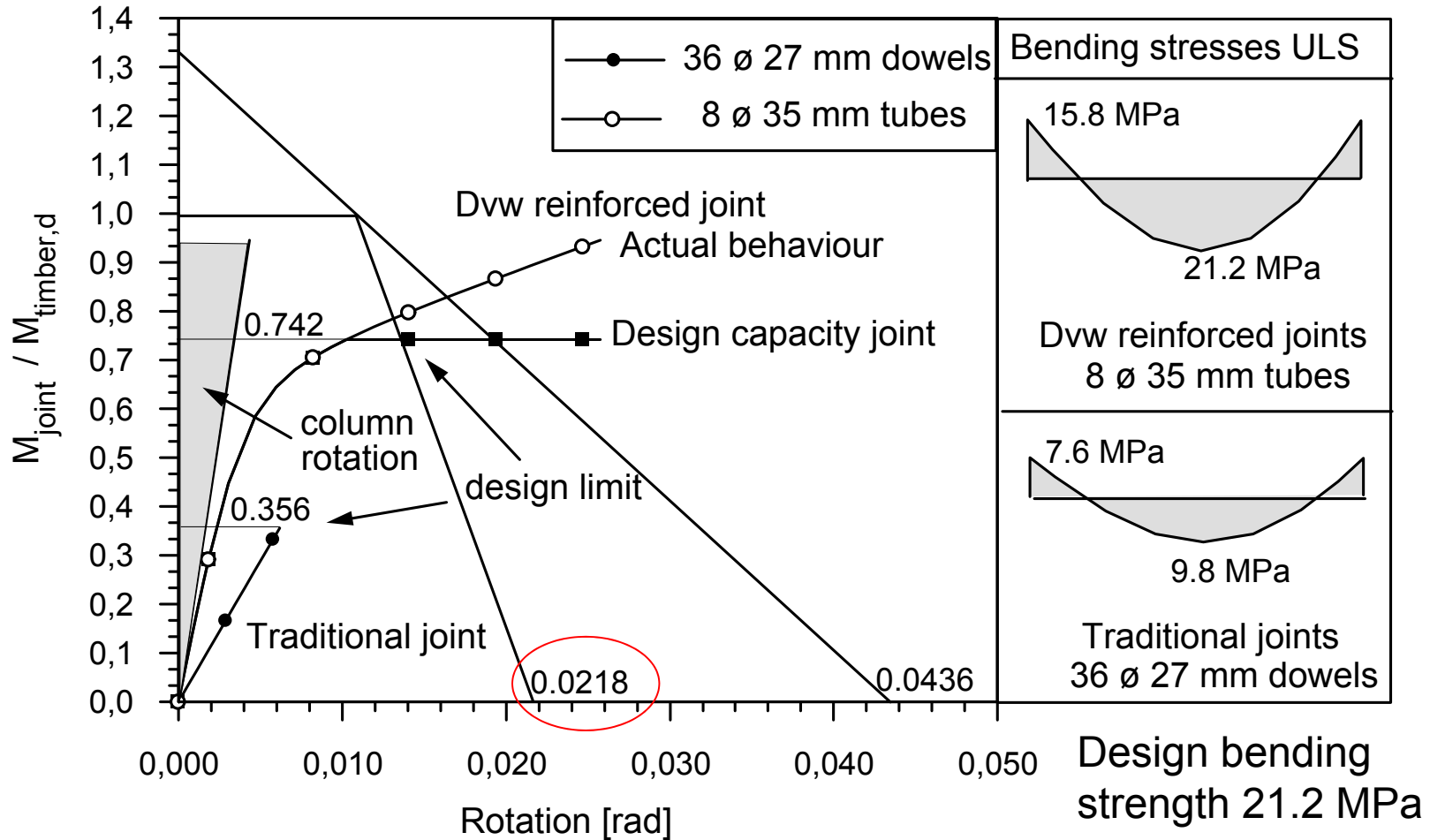
Two hinged portal frame



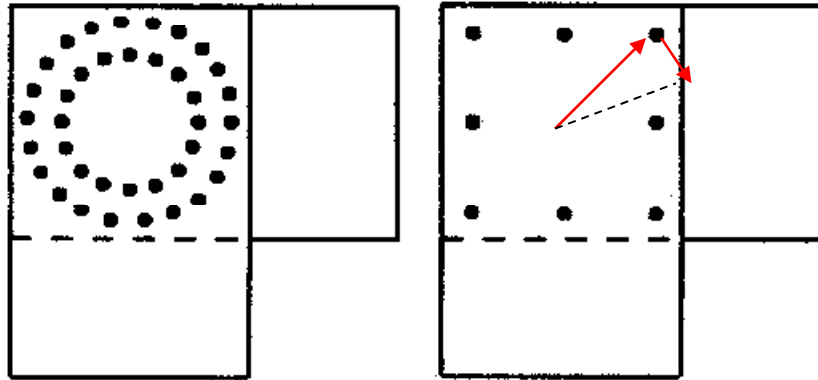
# Ductility requirements



# Ductility requirements



# Ductility requirements



**traditional**

**dowel fasteners**

**38 Ø 27 mm**

**reinforced**

**tube fasteners**

**8 Ø 35 mm tubes**

0.0218 rad → minimum fastener displacement:

For dowel connection 12 mm → achievable ?

For tube connection 17 mm → no problem